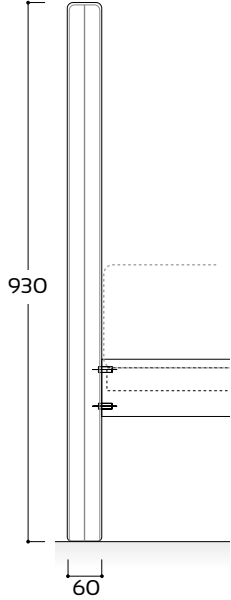


# TALK UPHOLSTERED

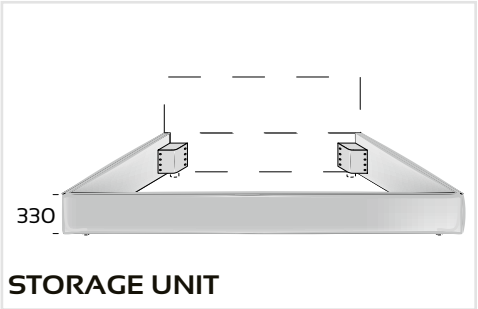
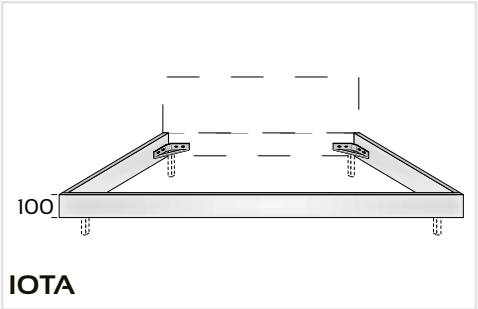
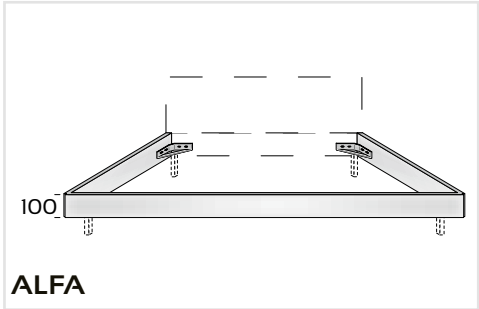
## HEADBOARD SECTION



## TECHNICAL CHARACTERISTICS

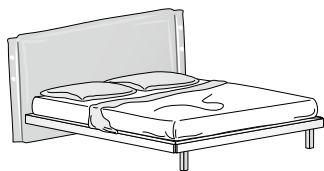
- HEADBOARD** Wood agglomerate panel, padding in polyurethane foam D 25 + resin layer with polyester jersey gr 100, with cover in our range fabrics  
With removable cover
- BED FRAME** ALFA, IOTA, STORAGE UNIT

## AVAILABLE BED FRAMES



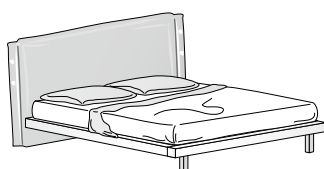
# TALK UPHOLSTERED

## ALFA BED FRAME



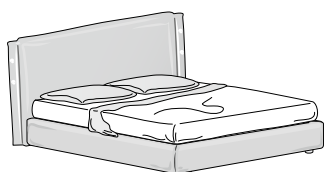
	Bed dimension			Bed base dimension		
	W	H	D	W	D	
mc. 0.500	1770	930	2040	1600	1900	<b>B2G53008</b>
mc. 0.550	1770	930	2140	1600	2000	<b>B2G53009</b>
mc. 0.550	1970	930	2140	1800	2000	<b>B2G53010</b>

## IOTA BED FRAME



	Bed dimension			Bed base dimension		
	W	H	D	W	D	
mc. 0.500	1770	930	2040	1600	1900	<b>B2G53208</b>
mc. 0.550	1770	930	2140	1600	2000	<b>B2G53209</b>
mc. 0.550	1970	930	2140	1800	2000	<b>B2G53210</b>

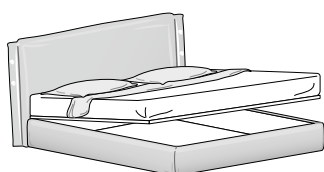
## STORAGE BED FRAME



	Bed dimension			Bed base dimension		
	W	H	D	W	D	
mc. 0.600	1770	930	2040	1600	1900	<b>B2G53308</b>
mc. 0.650	1770	930	2140	1600	2000	<b>B2G53309</b>
mc. 0.650	1970	930	2140	1800	2000	<b>B2G53310</b>

## STORAGE BED FRAME WITH STANDARD OR DOUBLE OPENING SYSTEM

### BED BASE INCLUDED



		Bed dimension			Bed base dimension		
		W	H	D	W	D	
STANDARD OPENING	0.650	1770	930	2140	1600	2000	<b>B2G53409</b>
DOUBLE OPENING	0.650	1770	930	2140	1600	2000	<b>B2G53509</b>